

DATA SHEET

Form 638-010129

Description

The G4IAC5MA and G4IDC5MA solid state input modules feature an integral three-position Manual On/Off and Automatic Operation override switch. By flipping the switch, they can be used as operator inputs or standard input modules.

The three-position switch is in series with an internal current limiting resistor on the optically isolated control side of the module. This provides a simulated input and eliminates the need for actual real world devices during program development. Once development is complete, the same module can be used in the final application.

These modules are *mistic* controller system compatible and are supported by a variety of G4 I/O racks.

Part Numbers	Description
G4IAC5MA	AC input 90-140 VAC, 5 VDC logic W/SW
G4IDC5MA	DC input 10-32 VDC, 5 VDC logic with HOA/SW



Features

- Solid state switching
- 4000 V optical isolation
- LED status indicator
- UL recognized
- CSA certified
- Small footprint
- Passes NEMA showering arc test [ICS2-230]
- Meets IEEE surge withstand specification [IEEE-472]
- Compatible with *mistic* control systems and G4 racks

DATA SHEET

Form 638-010129

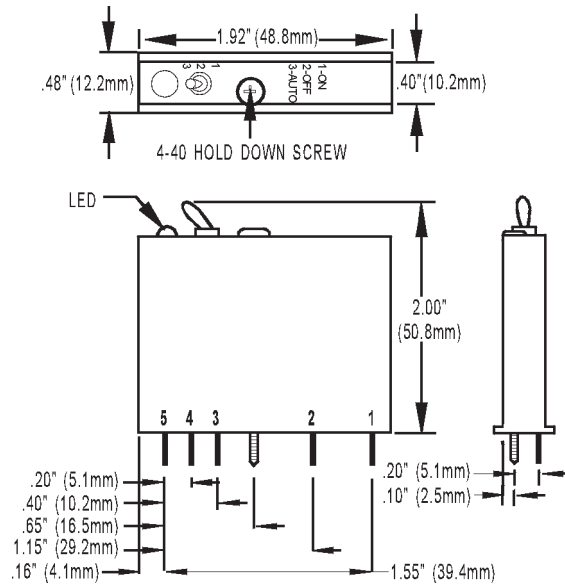
Specifications

General Applies to All Models

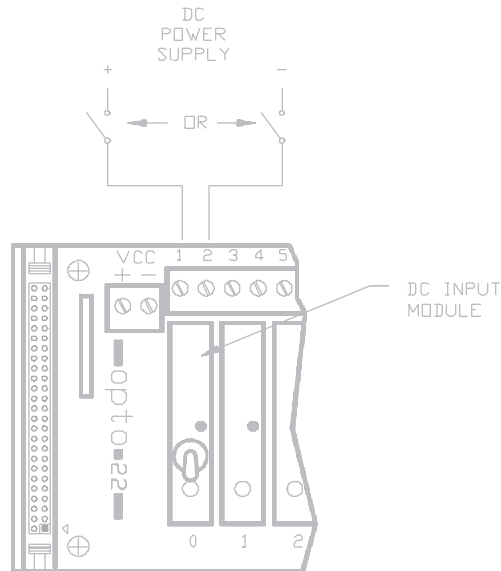
Operating ambient temperature	- 30°C to 70°C
Isolation input-to-output	4000 Vrms
Output voltage drop	0.4 V @ 50 mA
Output current (max)	50 mA
Leakage with no input	100 mA @ 30 VDC
Output transistor	30 V breakdown

	G4IAC5MA	G4IDC5MA
Input voltage range	90 - 140 VDC 90 - 140 VAC	10 - 32 VDC 12 - 32 VAC
Input current @ max line	11 mA	25 mA
Turn-on time	20 ms	5 ms
Turn-off time	20 ms	5 ms
Input allowed for no logic output	3 V, 45 mA	1 V, 3 mA
Logic supply voltage - nominal	5 VDC	5 VDC
Logic supply voltage range	4.5 - 6 VDC	4.5 - 6 VDC
Logic supply current @ nominal logic voltage	12 mA	12 mA
Input resistance (R1 in schematic diagram)	14 K ohms	1.5 K ohms
Control resistance (Rc in schematic diagram)	220 ohms	220 ohms

Dimensions



Connections



WARNING:
DO NOT REMOVE OR INSTALL MODULES
WITH POWER APPLIED.

Schematics

